



ECHOCOUSTIC®

DATA SHEET ECHOCOUSTIC®

EchoCoustic® is a high quality sound absorber with a NRC of 0.85, which is mounted without distance onto walls or ceilings.

DESCRIPTION	EchoCoustic® 25mm																				
DIMENSIONS	2720mm (± 5mm) x 1210mm (± 10mm)																				
COMPOSITION	100% PET (> 50% recycled PET)																				
PET BOTTLES* PER PANEL	181 PET Bottles *The number of PET bottles refers to 500ml PET bottles with a bottle weight of 24g																				
WEIGHT	2650g/m ² (± 10%)																				
THICKNESS	25mm (± 2mm)																				
LIGHTFASTNESS ISO 105-B02-1994	> 6																				
FIRE RATING EN 13501	B-s1, d0																				
VOC EMISSIONS ASTM D5116	< 0.5mg/m ² /h																				
FORMALDEHYD EMISSIONS AATCC 112-2003	< 100ppm																				
ENVIRONMENTAL CERTIFICATION	Certified by manufacturer according to Greentag Greenrate Level A																				
THERMAL PERFORMANCE	Thermal resistance: R = 0.7 (m ² K)/W Heat transfer coefficient: U = 1.43 W/(m ² K)																				
ACOUSTIC ABSORPTION AS/ISO 354 ASTM C423-99	aw = 0.80 (0mm air gap) NRC = 0.85 (0mm air gap)																				
COLORS	34																				
ACOUSTIC ABSORPTION GRAPH	<p>The graph plots the Sound Absorbance Coefficient (Y-axis, 0.00 to 1.20) against Frequency in Hz (X-axis, 100 to 4000). The curve shows a steady increase in absorption, reaching a plateau of approximately 0.95 between 1000 Hz and 4000 Hz.</p> <table border="1"> <caption>Approximate data points from the Acoustic Absorption Graph</caption> <thead> <tr> <th>Frequency [Hz]</th> <th>Sound Absorbance Coefficient</th> </tr> </thead> <tbody> <tr><td>100</td><td>0.00</td></tr> <tr><td>160</td><td>0.15</td></tr> <tr><td>250</td><td>0.30</td></tr> <tr><td>400</td><td>0.60</td></tr> <tr><td>630</td><td>0.75</td></tr> <tr><td>1000</td><td>0.90</td></tr> <tr><td>1600</td><td>0.95</td></tr> <tr><td>2500</td><td>0.95</td></tr> <tr><td>4000</td><td>0.95</td></tr> </tbody> </table>	Frequency [Hz]	Sound Absorbance Coefficient	100	0.00	160	0.15	250	0.30	400	0.60	630	0.75	1000	0.90	1600	0.95	2500	0.95	4000	0.95
Frequency [Hz]	Sound Absorbance Coefficient																				
100	0.00																				
160	0.15																				
250	0.30																				
400	0.60																				
630	0.75																				
1000	0.90																				
1600	0.95																				
2500	0.95																				
4000	0.95																				

34 ECHOCOUSTIC® COLORS

*137, 948, 142, 923, 164, 966, 168, 154, 160, 914 & 130 are supplied with a white bottom layer, other colors are supplied with a black bottom layer. Product may vary in colour due to the nature of the media.

ECHOCOUSTIC® STANDARD COLORS



ECHOCOUSTIC® SPECIAL COLORS







EASY
INSTALLATION

100%
PET

85%
ABSORPTION

SHOCK
PROOF!

OVER
50%
RECYCLED

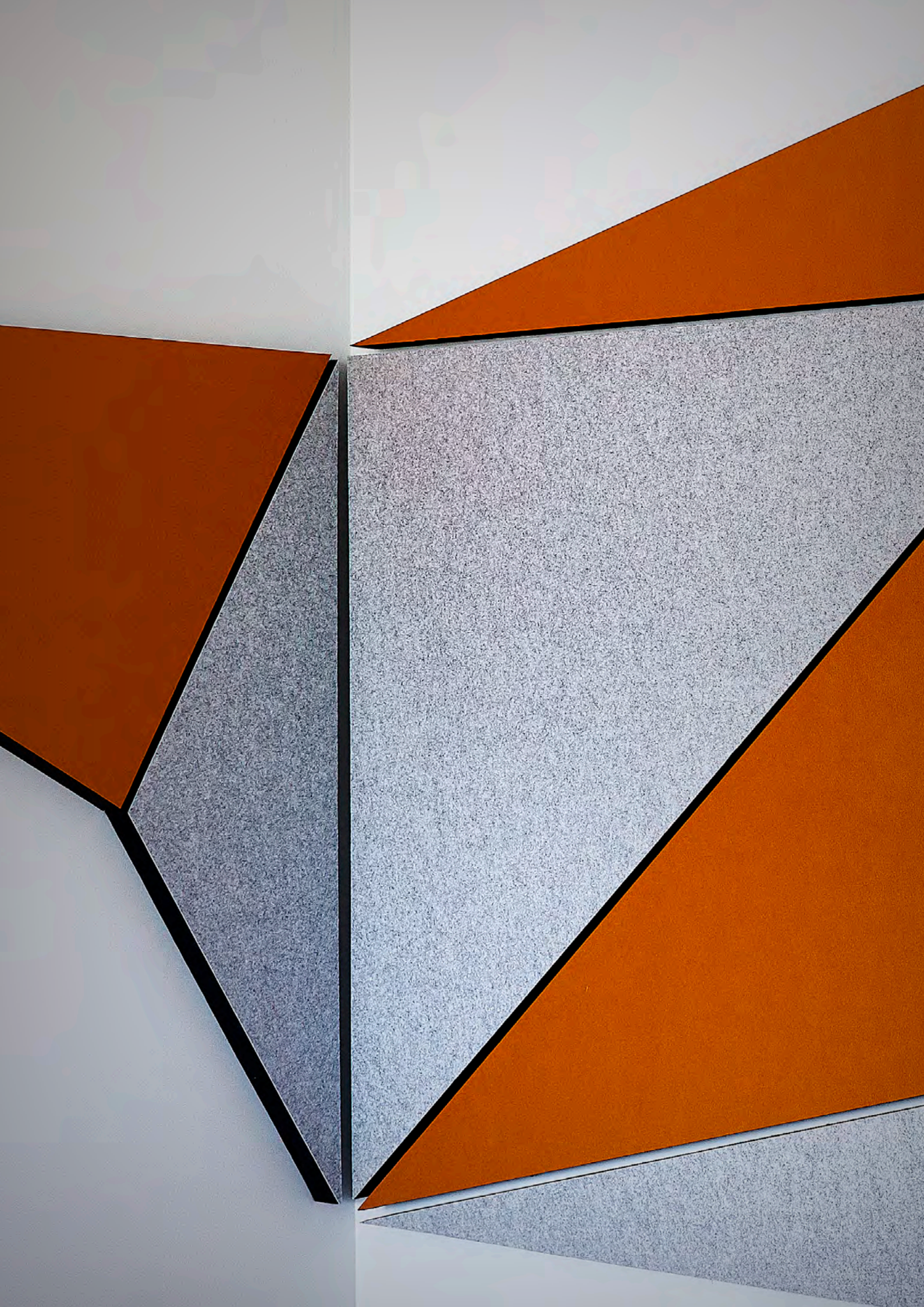
PINNABLE

WHAT IS ECHOCOUSTIC®?

The EchoCoustic® is a high-quality sound absorber which is mounted on walls and ceilings without any air gap and achieves a sensational absorption level of 85%. The 3-layer EchoCoustic® has a material thickness of 25mm and consists of 100% PET of which at least 50% is recycled. The surface impresses with its beautiful high-tech felt and is available in 34 colours. The middle layer gives the EchoCoustic® its stiffness and makes the product pinable. The base is responsible for the excellent acoustic values.

The installation of the EchoCoustic® is extremely simple which is supported by the optional frame. Since the EchoCoustic® is mounted directly on the wall or ceiling, the loss of space is very low despite the highest acoustic performance.

The EchoCoustic® is a direct answer to today's demand for ecological and economic sustainability that arise in contemporary interior design, interior decoration and renovation.



ECHOCOUSTIC®

EchoCoustic® is a 3-layer acoustic panel made of 100% PET felt. The panels are available in 25mm material thickness and consist of a white or black sound absorbing base, a pinable intermediate layer and a decorative surface.

EchoCoustic® is optionally supplied with EchoGlue® contact adhesive and EchoProfile® aluminium profiles.

NAME	ARTICLE	WxHxD (in mm)	UNIT	PET BOTTLES*
EchoCoustic® 25mm	PET25REC000000A	2720 x 1210 x 25	1 pce	181

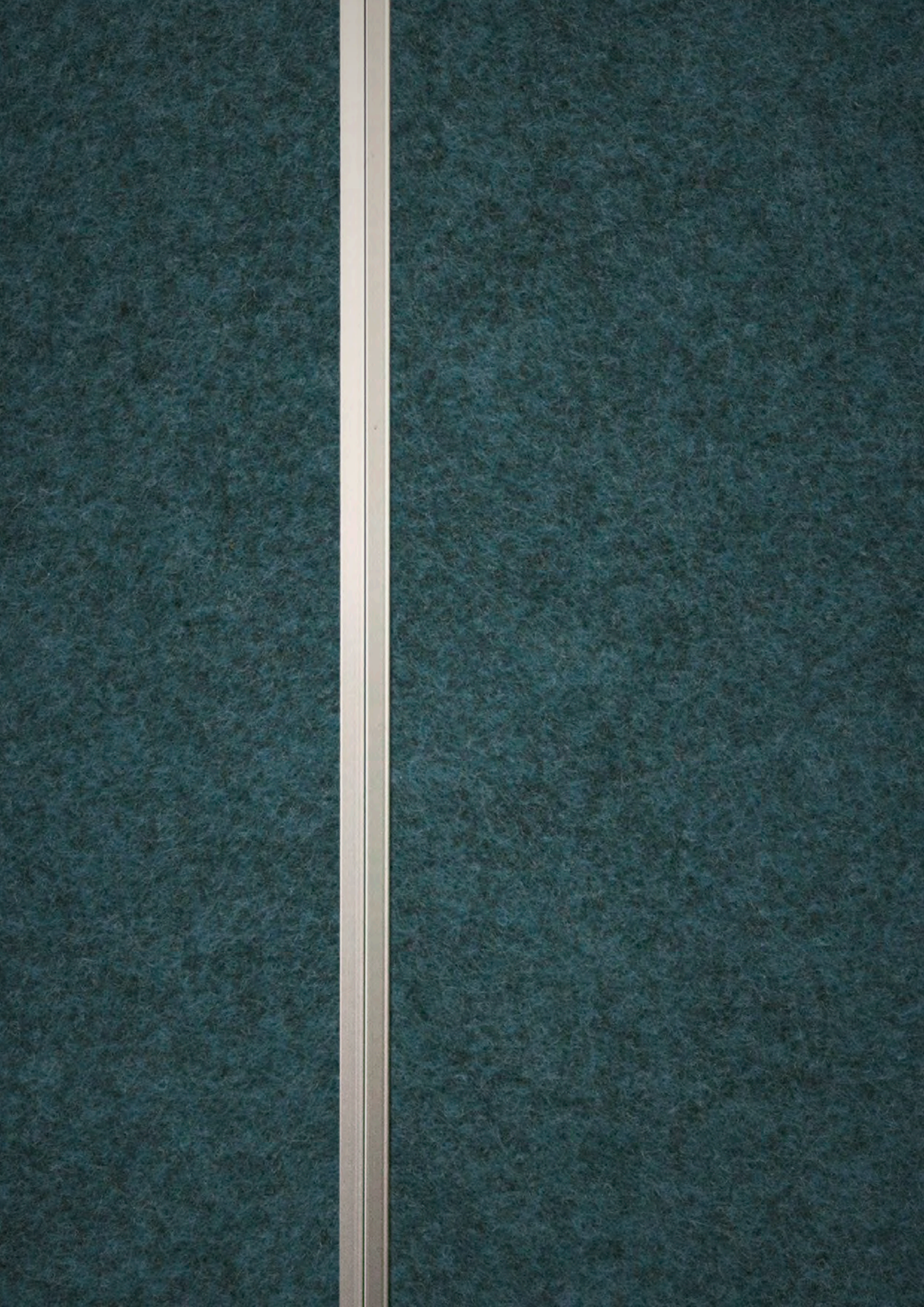


ECHOCOUSTIC® 25MM
PET25REC000000A

TOP LAYER
DECORATIVE FELT IN 34 COLORS
SELF HEALING

MIDDLE LAYER
INCREASED MATERIAL DENSITY
STIFFNESS, PINABLE, ROBUST, RIGID

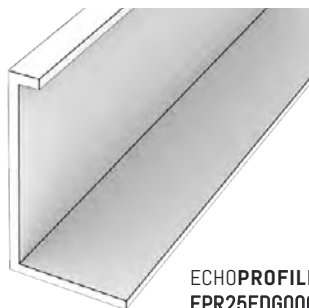
BOTTOM LAYER
ABSORPTION OF LOW FREQUENCIES



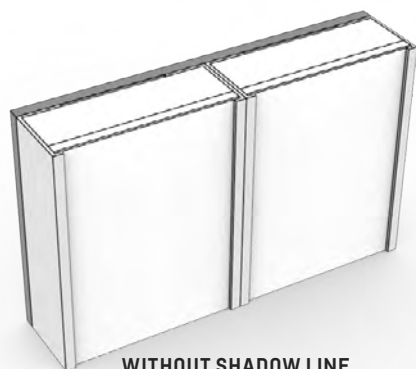
ECHOPROFILE®

EchoCoustic® can optionally be installed with EchoProfile® aluminium profiles. With EchoProfile® 25mm EDGE, installation is also possible without adhesive if the acoustic panel is clamped between two profiles.

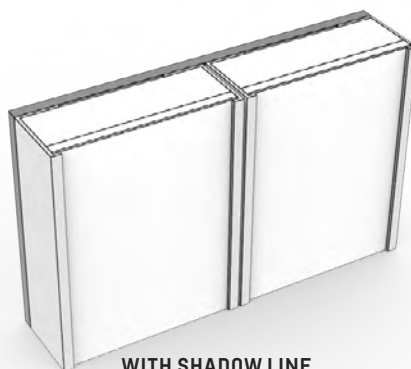
NAME	ARTICLE	L x W x D (in mm)	UNIT	NOTICE
EchoProfile® 25mm EDGE	EDG25EDG000000A	16 x 27.8 x 2750	1 pce	Optional



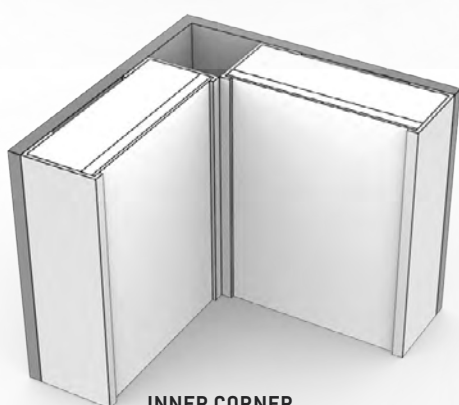
ECHOPROFILE® 25MM EDGE
EPR25EDG000000A



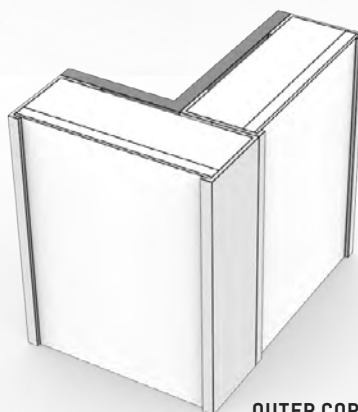
WITHOUT SHADOW LINE
ECHOPROFILE® 25MM EDGE



WITH SHADOW LINE
ECHOPROFILE® 25MM EDGE



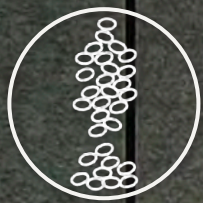
INNER CORNER
ECHOPROFILE® 25MM EDGE



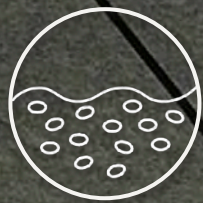
OUTER CORNER
ECHOPROFILE® 25MM EDGE



PET-BOTTLE



GRANULATE



WASH



MELT



EXTRUDE

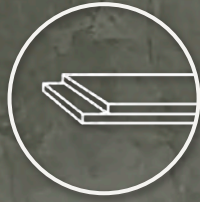




DRY



FELT



ECHOCOUSTIC®



SHRED



100% RECYCLING

SUSTAINABLE

ECHOCOUSTIC® CONSISTS OF 100% PET WITH OVER 50% RECYCLED PET BOTTLES

AS PART OF A PRODUCT STEWARDSHIP PROGRAM, ECHOJAZZ OFFERS ITS CUSTOMERS THE OPPORTUNITY TO RETURN PRODUCTS AT THE END OF THEIR LIFE CYCLE

CERTIFIED BY MANUFACTURER ACCORDING TO GREENTAG GREENRATE LEVEL A



VERSION 05.11.2019

ECHOJAZZ AG
RINGSTRASSE 25
CH-6010 KRIENS
SWITZERLAND
WWW.ECHOJAZZ.COM
INFO@ECHOJAZZ.COM
+41 41 340 18 80

**ACOUSTIC
INSPIRATION**